

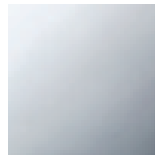
Kitchen - Tara.

Three-hole mixer - polished chrome

Article number: 20 815 892-00

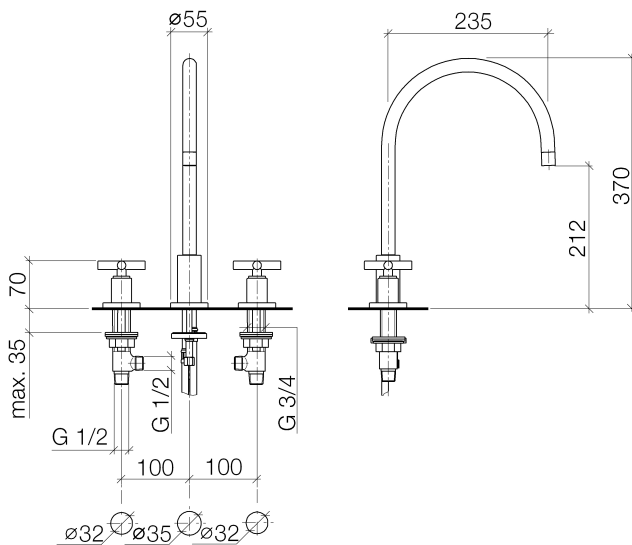


- 235 mm projection
- pivotable spout 360°
- air-enriched flow
- height of mixer 370 mm
- height up to aerator 212 mm
- hole diameter spout 35 mm
- hole diameter valve 32 mm
- max. flow 7 l/min at 3 bar flow pressure
- lead-free
- (ADA)



polished chrome

## Dimensional drawing

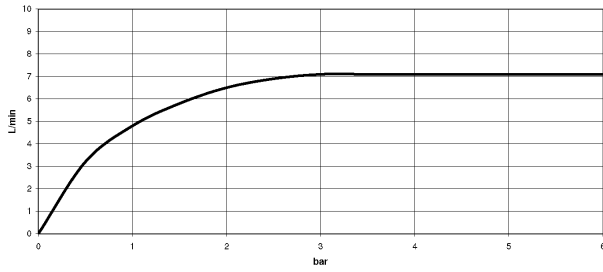


All details in mm / inch = mm x 0.0394



Kitchen - Tara.  
Three-hole mixer - polished chrome  
Article number: 20 815 892-00

### Flow rate chart



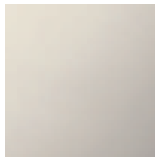


Kitchen - Tara.  
Three-hole mixer - polished chrome  
Article number: 20 815 892-00

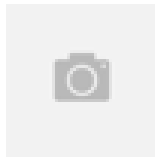
### Other finish variants



platinum matt  
20 815 892-06



platinum  
20 815 892-08



brushed Durabronze  
20 815 892-28

Other finishes on request (x-tra Service)

### Recommended miscellaneous



10 710 970-00  
Strainer waste with control  
handle - polished chrome

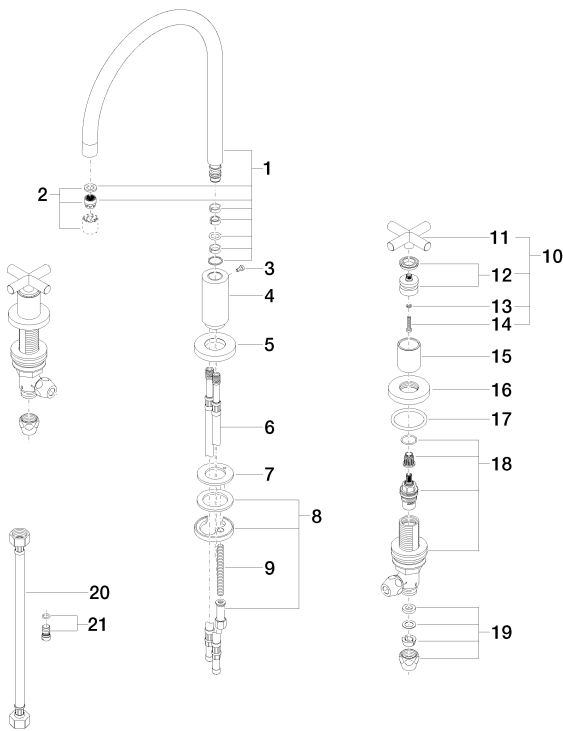


82 434 970-00  
Dispenser with rosette -  
polished chrome



Kitchen - Tara.  
 Three-hole mixer - polished chrome  
 Article number: 20 815 892-00

### Spare parts list



No.	Item Number	Name	Quantity used
1	90 28 22 226 01-00	spout	1
2	90 23 01 028 03-00	aerator	1
3	09 30 30 057 90	screw	1
4	09 11 10 088 10-00	connection	1
5	09 28 10 140-00	ring	1
6	04 30 04 064 00 90	hose	2
7	09 14 05 047 90	seal	1
8	04 30 11 038 00 90	fixing set	1
9	09 31 11 011 90	pin	1
10	04 20 89 010 00-00	handle	2
11	09 20 89 010-00	handle	2
12	90 12 12 007 00-00	base	2
13	09 30 11 029 90	disc	2
14	09 30 30 075 90	screw	2
15	09 21 02 140-00	sleeve	2
16	09 27 89 105-00	rosette	2
17	09 14 10 043 90	seal	2
18	90 17 11 040 51 90	side panel	2
19	04 23 30 040 00-00	threaded connector	4
20	12 501 970 90	High pressure hose 1/2" x 1/2" x 300 mm -	2
21	04 31 20 046 10 92	set	1